



POSITAL

FRABA

IXARC Incremental Encoder UCD-IPT00-01024-Y10S-2RW



Interface

| | |
|-----------------------|---|
| Interface | Programmable Incremental |
| Programming Functions | PPR (1-16384), Output, Counting Direction |
| Configuration Tool | UBIFAST Configuration Tool (Version \geq 1.6.3) |

Outputs

| | |
|---|--|
| Output Driver | RS 422 (TTL) |
| Quadrature Phasing | $90^\circ \pm 4.5^\circ$ electrical |
| Output Voltage High Level Push-Pull (HTL) | $> 4 \text{ V}$ @ 4.75-9 V Supply Voltage $> 3 \text{ V}$ @ 9-30 V Supply Voltage |
| Output Voltage Low Level Push-Pull (HTL) | $< 0.5 \text{ V}$ |
| Output Voltage High Level RS422 (TTL) | $> 4 \text{ V}$ |
| Output Voltage Low Level RS422 (TTL) | $< 0.5 \text{ V}$ |
| Maximum Frequency Response | 1 MHz |
| Maximum Switching Current | 50 mA per Channel |

Electrical Data

| | |
|----------------------|---|
| Supply Voltage | 4.75 - 30 VDC |
| Current Consumption | $\leq 140 \text{ mA}$ @ 5V DC, $\leq 70 \text{ mA}$ @ 10V DC, $\leq 40 \text{ mA}$ @ 24V DC |
| Power Consumption | $\leq 1.0 \text{ W}$ |
| Start-Up Time | $< 250 \text{ ms}$ |
| Min. Load Resistance | 120 Ω |

Data Sheet

Printed at 16-02-2018 15:02



POSITAL

FRABA

| | |
|-----------------------------|-------------------|
| Reverse Polarity Protection | Yes |
| Short Circuit Protection | Yes |
| EMC: Emitted Interference | DIN EN 61000-6-4 |
| EMC: Noise Immunity | DIN EN 61000-6-2 |
| MTTF | 280 years @ 40 °C |

Sensor

| | |
|----------------|---|
| Technology | Magnetic |
| Accuracy (INL) | $\pm 0.0878^\circ$ (≤ 12 bit) |
| Duty Cycle | $180^\circ \pm 27^\circ$ (Speed > 100RPM) |
| Phase Angle | $90^\circ \pm 14^\circ$ (Speed > 100RPM) |

Environmental Specifications

| | |
|----------------------------|---|
| Protection Class (Shaft) | IP66/IP67 |
| Protection Class (Housing) | IP66/IP67 |
| Operating Temperature | -30 °C fixed (-22 °F), -5 °C flexible (+23 °F) - +70 °C (+158 °F) |
| Humidity | 98% RH, no condensation |

Mechanical Data

Mechanical Data

| | |
|-----------------------------------|---|
| Housing Material | Steel |
| Housing Coating | Wet coating (RAL 9006 White Aluminium) + Cathodic corrosion protection (>720 h salt spray resistance) |
| Flange Type | Synchro, \varnothing 58 mm (Y) |
| Flange Material | Aluminum |
| Shaft Type | Solid, Length = 20 mm |
| Shaft Diameter | \varnothing 10 mm (0.39") |
| Shaft Material | Stainless Steel V2A (1.4305, 303) |
| Max. Shaft Load | Axial 40 N, Radial 110 N |
| Rotor Inertia | ≤ 30 gcm ² [≤ 0.17 oz-in ²] |
| Friction Torque | ≤ 5 Ncm @ 20 °C, (7.1 oz-in @ 68 °F) |
| Max. Permissible Mechanical Speed | ≤ 3000 1/min |
| Shock Resistance | ≤ 100 g (half sine 6 ms, EN 60068-2-27) |
| Permanent Shock Resistance | ≤ 10 g (half sine 16 ms, EN 60068-2-29) |
| Vibration Resistance | ≤ 10 g (10 Hz - 1000 Hz, EN 60068-2-6) |

Data Sheet

Printed at 16-02-2018 15:02



POSITAL

FRABA

| | |
|---|--|
| Length | 56,7 mm (2.23") |
| Weight | 685 g (1.51 lb) |
| Minimum Mechanical Lifetime (10 ⁸ revolutions with Fa/Fr) | 420 (20 N / 40 N), 145 (40 N / 60 N), 100 (40 N / 80 N), 55 (40 N / 110 N) |

Electrical Connection

| | |
|------------------------|---|
| Connection Orientation | Radial |
| Cable Length | 2 m [79"] |
| Wire Cross Section | 0.14 mm ² / AWG 26 |
| Material / Type | PVC |
| Cable Diameter | 6 mm (0.24 in) |
| Minimum Bend Radius | 46 mm (1.81") fixed, 61 mm (2.4") flexing |

Certification

| | |
|----------|---|
| Approval | CE + cULus listed, Industrial Control Equipment |
|----------|---|

Product Life Cycle

| | |
|--------------------|-------------|
| Product Life Cycle | Established |
|--------------------|-------------|

Connection Plan

| SIGNAL | CABLE COLOR |
|--------------|-------------|
| A | Green |
| /A | Yellow |
| B | Gray |
| /B | Pink |
| Z | Blue |
| /Z | Red |
| Power Supply | Brown |
| GND | White |
| Shielding | Shield |

Connector-View on Encoder

Pulse Diagram

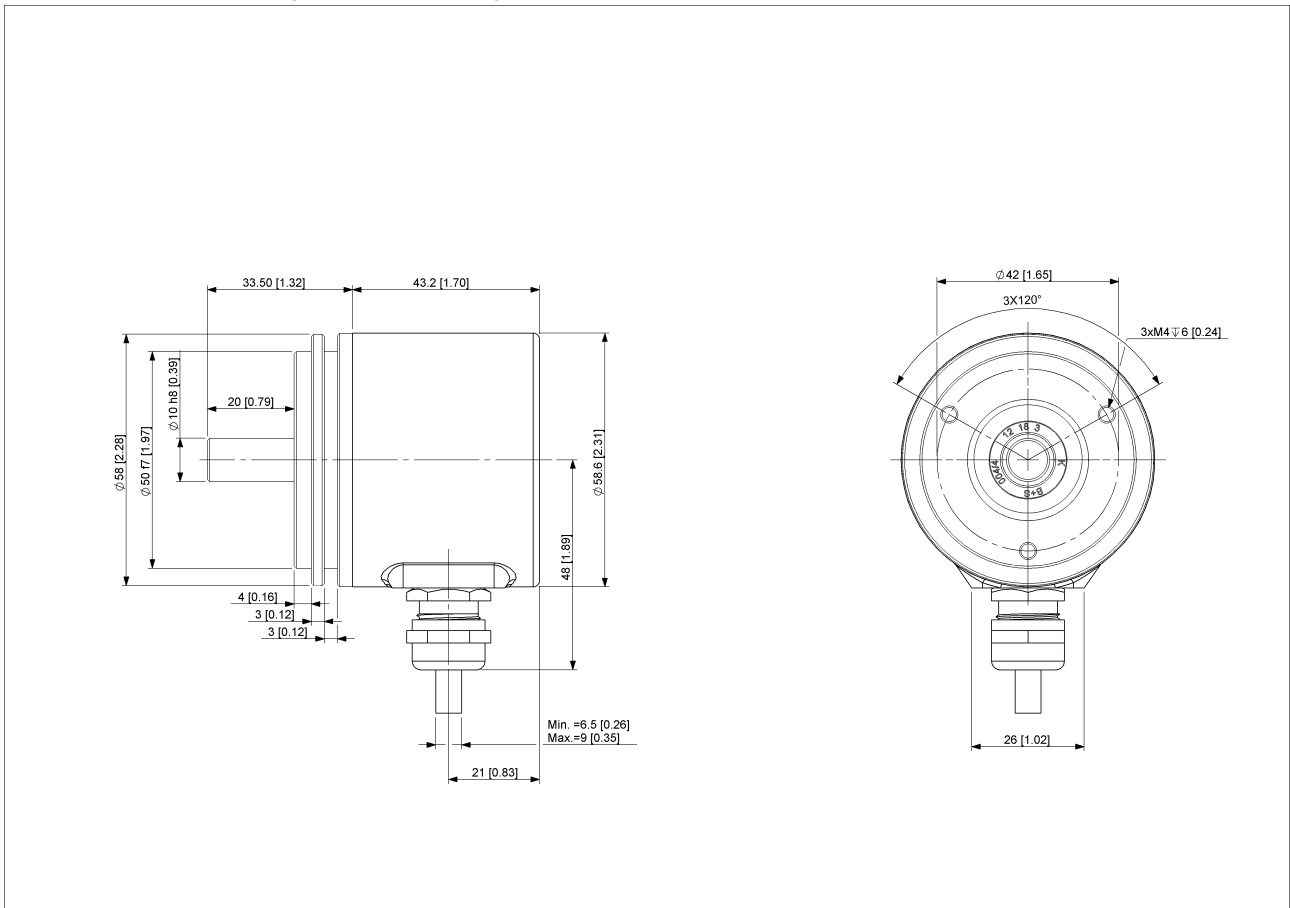


POSITAL

FRABA



Rotation Clockwise (seen on shaft)



[2D Drawing](#)

Accessories

Configuration/Programming Tools
UBIFAST Configuration Tool

Data Sheet
Printed at 16-02-2018 15:02



POSITAL

FRABA

Couplings

Coupling Disc Type-10-12
Coupling Bellow Type-10-10
Coupling Bellow Type-06-10
Coupling Bellow Type-08-10
Coupling Bellow Type-10-12
Coupling Bellow Type-10-(1/4")
Coupling Bellow Type-10-(3/8")
Coupling Jaw Type-06-10
Coupling Jaw Type-08-10
Coupling Jaw Type-10-12
Coupling Jaw Type-10-(1/4")
Coupling Jaw Type-10-(3/8")
Coupling Jaw Type-10-10
Coupling Disc Type-06-10
Coupling Disc Type-10-10

More

Measuring Wheels

Measuring Wheels 200mm-Knurled Alu Surface
Measuring Wheels 200mm-Smooth PUR Surface
Measuring Wheels 200mm-Studded PUR Surface
Measuring Wheels 200mm-Corrugated PUR Surface
Measuring Wheels 500mm-Knurling Alu Surface
Measuring Wheels 500mm-Smooth PUR Surface
Measuring Wheels 500mm-Studded PUR Surface
Measuring Wheels 500mm-Corrugated PUR Surface

More

Adapter Flanges

Mounting Bracket for Synchro Flange w/ fixtures

Displays

AP20-00 Counter
AP20-D0 Counter (4 dig. o/p)
AP20-0A Counter (analog o/p)
AP20-DA Counter (4 dig. + analog o/p)
DiMod Counter (Relay o/p)

More

Clamping Rings

Clamp Disc w/ Eccentric Hole-4pcs
Clamp Disc w/ Centred Hole-4pcs

Data Sheet

Printed at 16-02-2018 15:02



POSITAL

FRABA

Contact



Contact Us

The picture and drawing are for general presentation purposes only. Please refer to the "Download" section for detailed technical drawings. All dimension in [inch] mm. © FRABA B.V., All rights reserved. We do not assume responsibility for technical inaccuracies or omissions. Specifications are subject to change without notice.